

## 4 SPARE PARTS

### 4.1 SPARE PARTS LIST SF 33 PLUS / NESPRAY PRO / ELITE 4300 (TAKEN FROM ENDUSER'S MANUAL)

ITEM	ORDER-NO	DESIGNATION
1	0340 339	Inlet
2	0341 241	Inlet valve trigger
3	0341 336	Clasp
4	0341 247 0341 254	Inlet valve complete (SF33 PLUS) Inlet valve complete (Nespray Pro)
5	0341 255 0341 256	Inlet valve housing compl.(SF33 PLUS)** Inlet valve housing compl.(NesprayPro)**
6	0341 349	Oil cap screw
7	9971 146	O-ring
8	2370 128	Oil measuring stick
9	0344 337	Double socket (SF33 Plus only)
10	9970 103	Sealing ring
11	9970 109	Sealing ring
12	0341 702	Outlet valve, service set
13	0341 246	Outlet valve complete
14	2383 994 9991 953	Pressure gauge (SF33 PLUS) Pressure gauge (Nespray Pro)
15	0261 352	Mains cable H07-RNF 3x 1.5mm <sup>2</sup> , 6m long
16	2402 675	Cable threaded joint
17	2386856 2402391 2432675	Label SF 33 PLUS Label Nespray Pro Label Elite 4300
18	2388995	Warning notice
19	9950 242	Seal
20	9950 241	Socket
21	9905 113	Oval head screw 5x10 (4 pc.*)
22	2384 484	Relief valve compl.
23	0341 414	Washer
24	2334 205	Cylinder screw with hex socket (2 pc.*)
25	2384 478	Rotary knob
26	9920 207	Washer
27	9906029	Cylinder screw with hex socket
28	9990 864	Cover cap
29	2386 858 2402 389 2432670	Label Wagner (right) Label Nespray Pro (right) Label Titan
30	9902 225	Oval head screw 3.5x9.5 (4 pc.*)

ITEM	ORDER-NO	DESIGNATION
31	2392 781	Fan cover
32	2383 937 2432 660	Tool box (black) with lid compl. (incl. items 33, 36, 41) Tool box (red) with lid compl. (incl. items 33, 36, 41)
33	9930 114	Cylindrical pin (2 pc.*)
34	2386 857 2402 390 2432674	Label SF 33 PLUS Label Nespray Pro Label Elite 4300
35	2384 739 2432655	Internal compartment, tool box (yellow) Internal compartment, tool box (black)
36	9901 105	Threaded pin (2 pc.*)
37	9900 248	Hexagon bolt with flange (4 pc.*)
38	9995 234	Pressure cap (6 pc.*)
39	2386 859 2402 388 2432670	Label Wagner (left) Label Nespray Pro (links) Label 4300 (Titan)
40	9990 535	Protection cap (6 pc.*)
41	2344 692	Motor gasket
42	9990 865	Dust protective cap

\* Order number for 1 piece. Quantities in brackets indicate the total number in the assembly.

\*\* Turn over by approx. 10 Nm, loosen and then tighten to the specified value.



**Explanation**

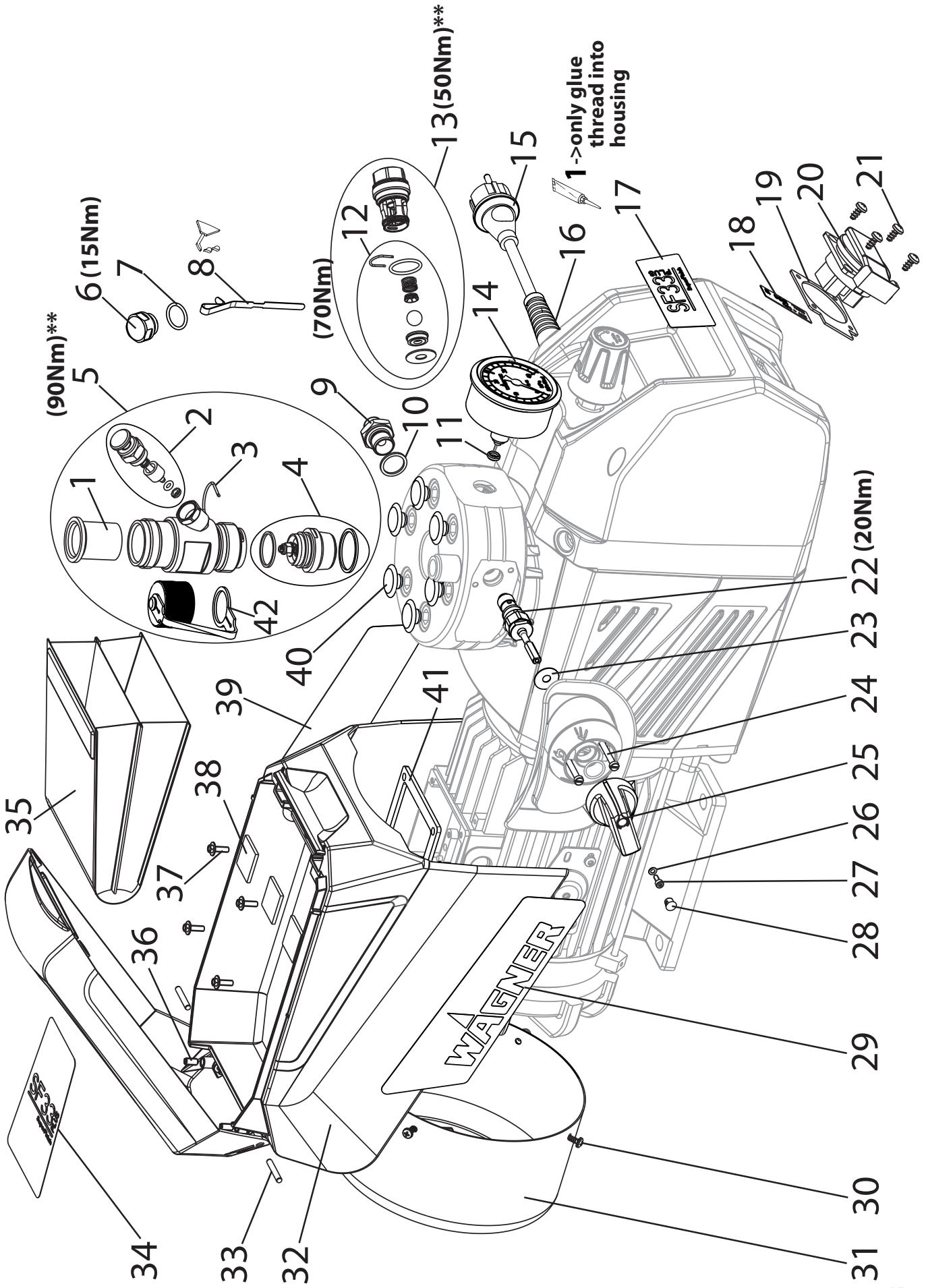
((xNm) indicates torque



1 seal with Loctite 414 (order-no. 3065559)



fill in 1.2 l hydraulic oil (order 21061 = 1 l)

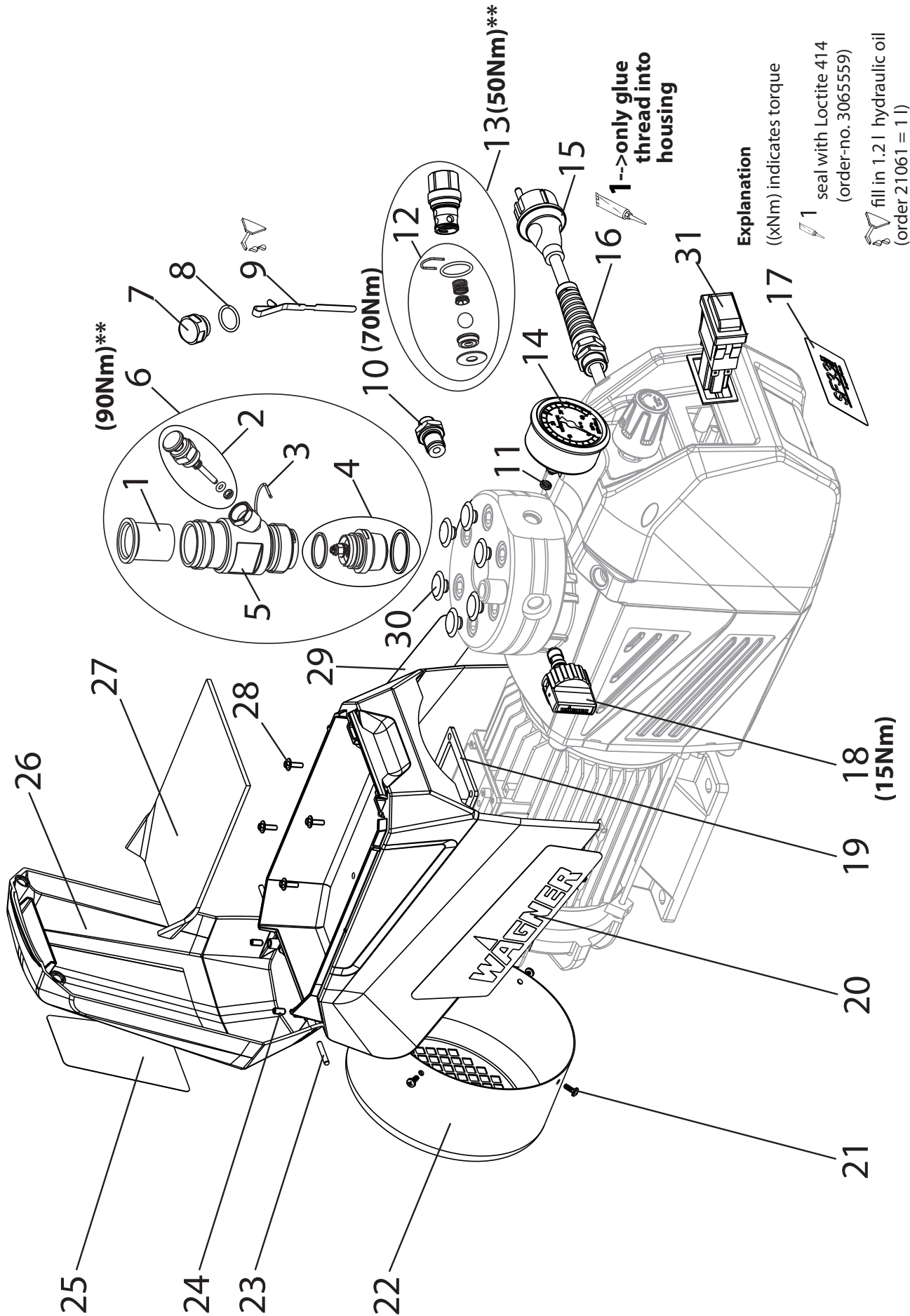


#### 4.2 SPARE PARTS LIST SF 33 PRO (TAKEN FROM ENDUSER'S MANUAL)

ITEM	ORDER-NO	DESIGNATION
1	0340 339	Inlet
2	2337 033	Inlet valve trigger
3	0341 336	Clasp
4	0341 247	Inlet valve complete
5	2334 383	Inlet valve housing
6	0341 255	Inlet valve housing compl.
7	0341 349	Oil cap screw
8	9971 146	O-ring
9	2370 128	Oil measuring stick
10	0344 336	Double socket
11	9970 109	Sealing ring
12	0341 702	Outlet valve, service set
13	2342 946	Outlet valve complete
14	2383 994	Pressure gauge
15	0261 352	Mains cable H07-RNF 3x 1.5mm <sup>2</sup> , 6m long
16	2402 675	Cable threaded joint
17	2386 850	Label SF 33 Pro
18	0169 248	Relief valve compl.
19	2344 692	Motor gasket
20	2386 858	Label (right)
21	9902 225	Oval head screw 3.5x9.5 (4 pc.*)
22	2392 781	Fan cover
23	9930 114	Cylindrical pin (2 pc.*)
24	9901 105	Threaded pin (2 pc.*)
25	2386 860	Label SF 33 Pro
26	2383 937	Tool box with lid compl. (incl. items 19, 23, 24)
27	2392 813	Anti-slip mat
28	9900 248	Hexagon bolt with flange (4 pc.*)
29	2386 859	Label (left)
30	9990 535	Protection cap (6 pc.*)
31	9953704	Motor protection switch

\* Order number for 1 piece. Quantities in brackets indicate the total number in the assembly.

\*\* Turn over by approx. 10 Nm, loosen and then tighten to the specified value.



### 4.3 ADDITIONAL SPARE PARTS SF 33 PLUS/PRO (SERVICE ONLY)

ITEM	ORDER-NO*	DESIGNATION	QUANTITY**
1	9990535	Protective cap	6
2	2359803	Cylinder head screw M12x60	6
3	9920204	Washer 13	6
4	2318934	Dust cover	1
5	2405098	Diaphragm SF-33 assy.	1
6	2416706	Insert	1
7	2368784	O-ring (46x2)	1
8	2337803	O-ring (21.95x1.78)	2
9	34357	Pressure spring	1
10	341311	Piston D25	1
11	9907079	Cylinder head screw M8x30	4
12	9920102	Washer 8.4	4
13	2385009	Pressure insert assy. (incl. pos. 25)***	1
14	2383771	Regulator assy. SF-33	1
15	10861	Pressure spring	1
16	10858	Clip	1
17	10859	Stop sleeve	1
18	2369490	Pressure control knob assy.	1
19	2385357	Label, pressure control valve	1
20	2405099	Pressure control valve SF-33 assy.	1
21	3051678	O-ring (9x3)	1
23	2419851	Sleeve	1
25	2368786	O-ring (39x3)	1
26	2401952	Seal	1
27	2374597	Cover	1
28	344323	Fitting M20x2	1
29	2390396	Paint head assy. SF-33 Plus / Nespri Pro/Elite 4300 (incl. item 28)	1
	2390422	Paint head assy. SF-33 Pro (incl. item 28)	1
<b>Service kits</b>			
	2400487	Sealing-Set (consisting of item 7, 8 (2x), 21, 23, 25)	

\* Order number for 1 piece

\*\* Quantity in the complete assembly

\*\*\* The current pressure insert is marked with an 'X' on the side.



To remove the pump, move it to an upright position. Open the oil lock screw to release any excess pressure that has built up in the hydraulic oil housing.

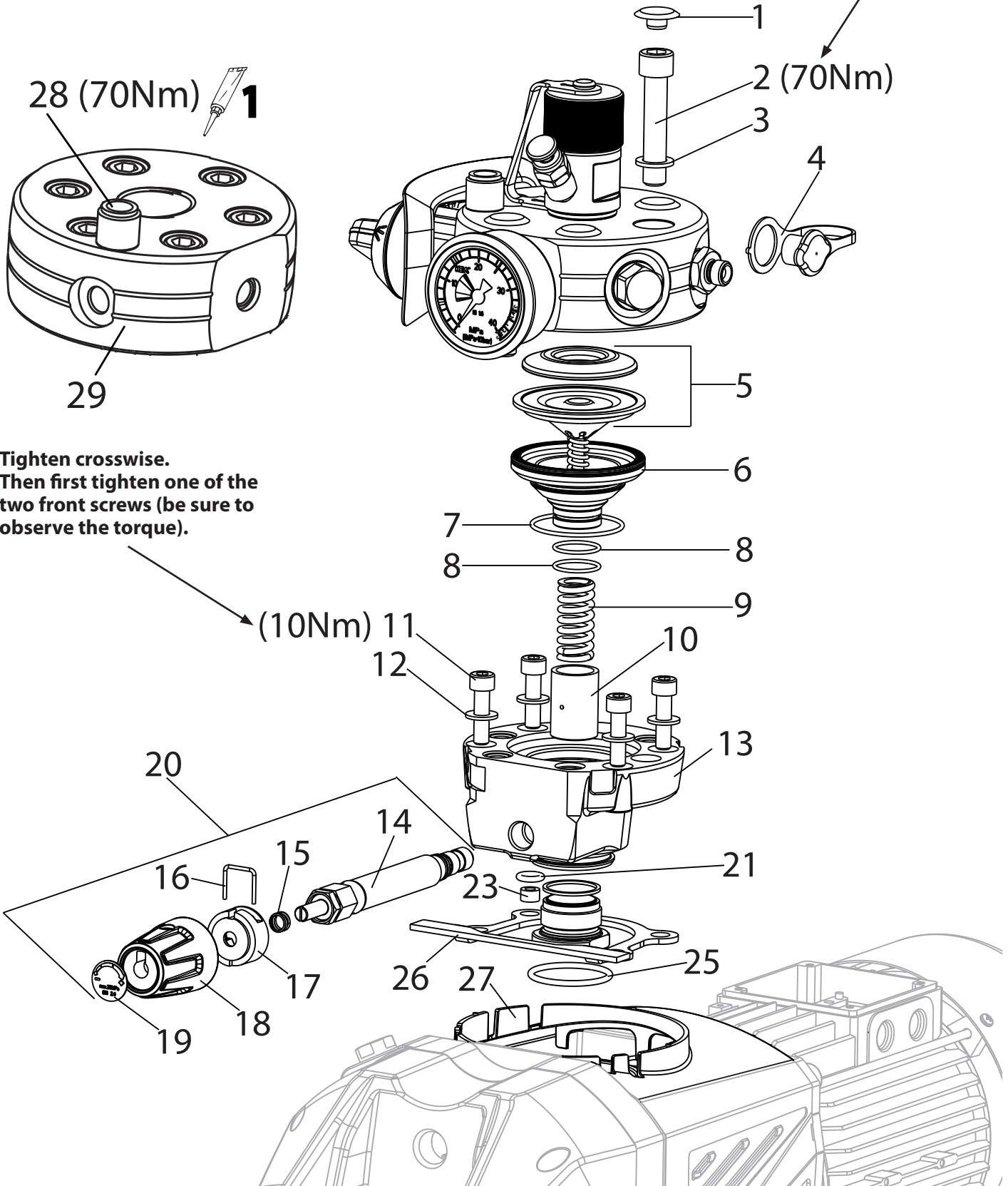


**Explanation**

(xNm) indicates torque

1 seal with UHU-Plus 2K (order-no.

**Tighten carefully cross-wise to avoid tilting pos. 6 (do not damage O-rings).**



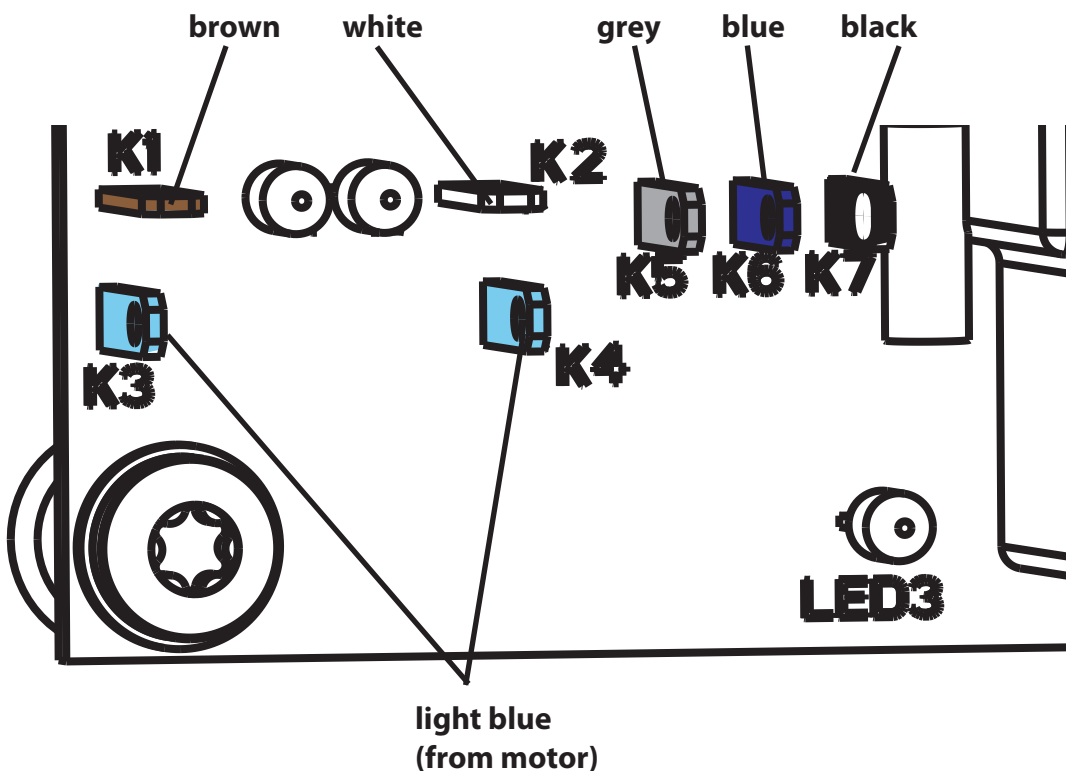
**Tighten crosswise. Then first tighten one of the two front screws (be sure to observe the torque).**

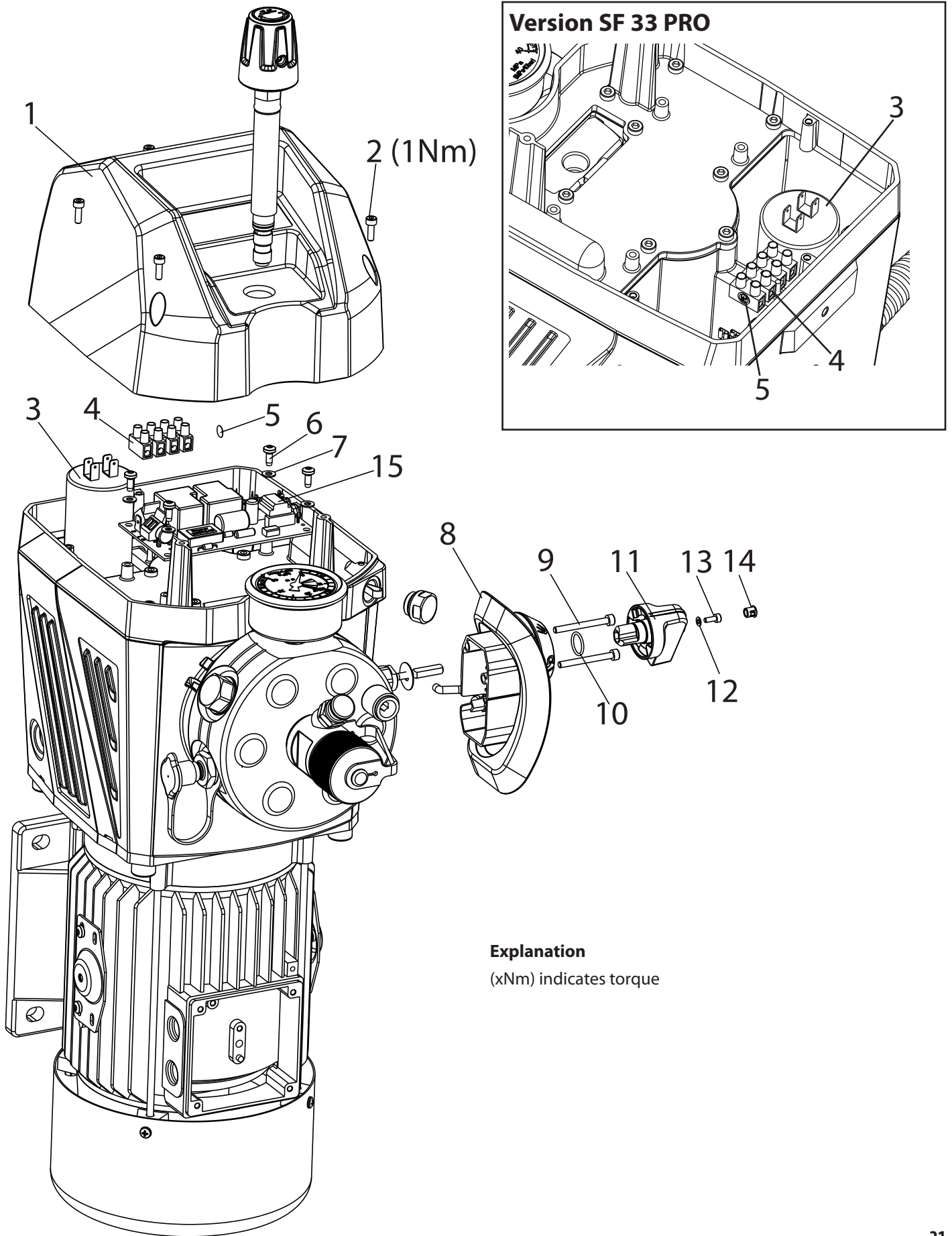
ITEM	ORDER-N0*	DESIGNATION	QUANTITY**
1	2390385 2390424	Front cover SF 33 PLUS assy. Front cover SF 33 PRO assy.	1 1
2	9900353	Cylinder head screw M4x12	5
3	9952820	Capacitor 40μF/400V	1
4	9950244	Terminal strip	1
5	9950239	PE-label	1
6	2315382	Lens head screw M4x10	4
7	9920130	Washer	4
8	2383936	Multi function switch assy. (SF 33 PLUS)	1
9	2334205	Cylinder head screw M4x40	2
10	9971197	O-ring 13x1.5	1
11	2384478	Control knob	1
12	9920207	Washer 3.2	1
13	9906029	Cylinder head screw M3x8	1
14	9990864	Cover	1
15	2334245	Electric circuit board, motor	1

\* Order number for 1 piece

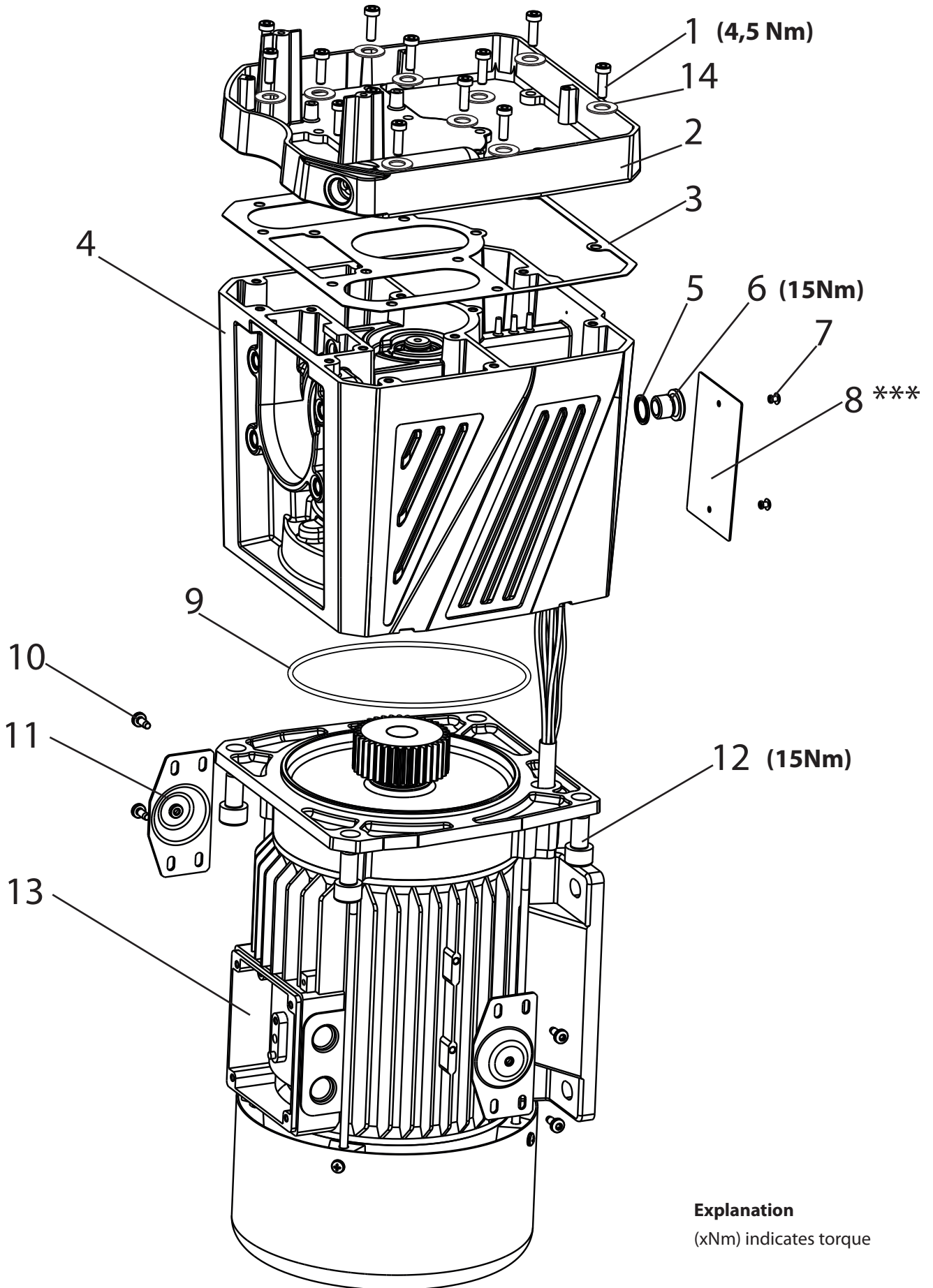
\*\* Quantity in the complete assembly

### Connecting the wires of the multifunction switch (item 8)





**Explanation**  
 (xNm) indicates torque





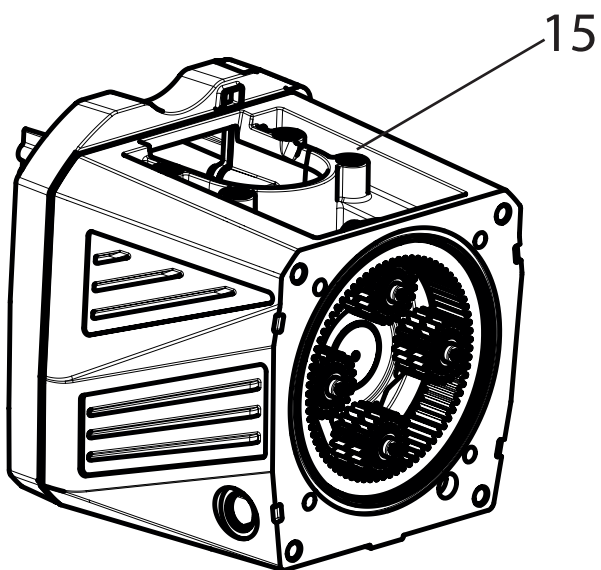
ITEM	ORDER-NO*	DESIGNATION	QUANTITY**
1	9902105	Cylinder head screw M5x16	13
2	2367474	Cover	1
3	2367485	Sealing****	1
4	2367472	Hydraulic housing	1
5	9970210	U-Seal	1
6	9904307	Locking screw	1
7	2304271	Blind rivet	2
8	2388919	Rating label SF 33 Plus ***	1
	2400238	Rating label SF 33 Pro ***	1
	2403078	Rating label Nespray Pro ***	1
	2432669	Leistungsschild Elite 4300 ***	1
9	2368785	O-ring 144x3	1
10	2315382	Oval head screw M4x10	4
11	2334046	Connecting plate	2
12	9900330	Cylinder head screw M10x20	4
13	2367479	Electric motor assy. 230V/50Hz	1
14	3050858	Washer	13
15	2431141	Housing cpl SF-33Plus/Pro (contains items 1-6 and items 3-10 on page 24)	1

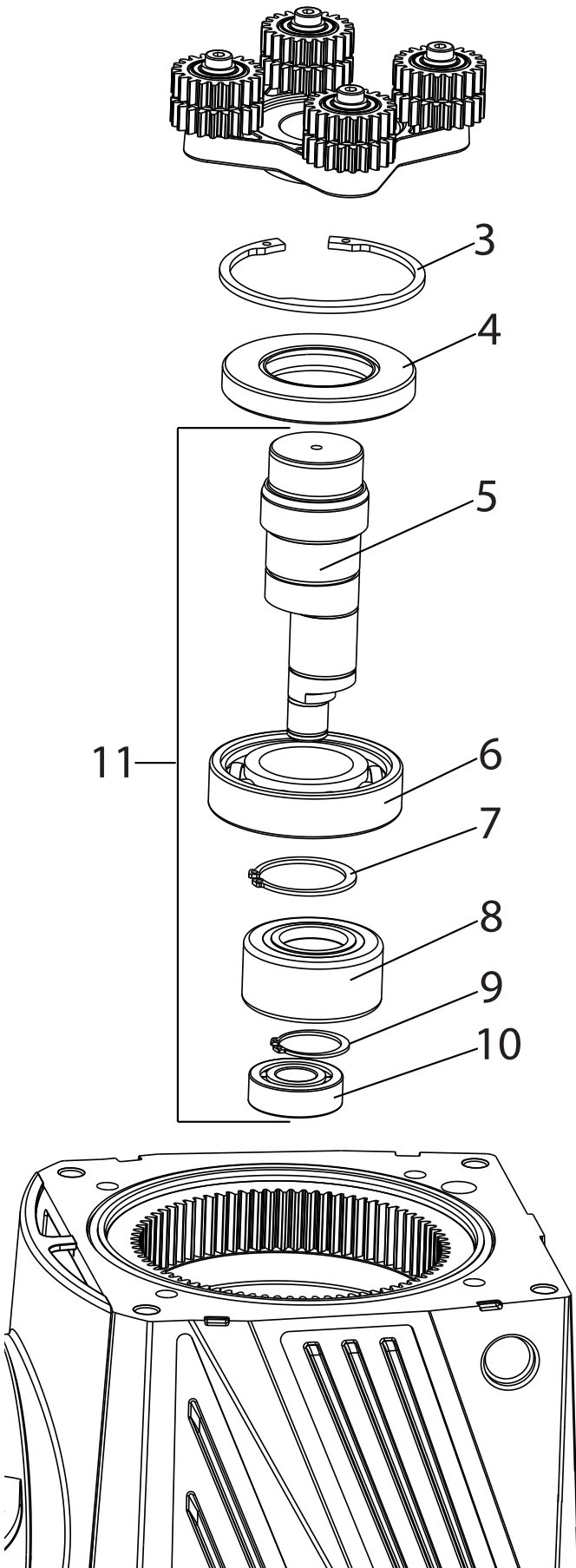
\* Order number for 1 piece

\*\* Quantity in the complete assembly

\*\*\* Keep record when changing the serial number

\*\*\*\* If 2 seals are fitted, use 2 pieces again.





ITEM	ORDER-NO*	DESIGNATION	QUANTITY**
2	9900145	Cylinder head screw M6x40***	-
3	3056464	Locking ring	1
4	9970532	Shaft seal	1
5	2333811	Eccentric shaft	1
6	9960151	Groove ball bearing	1
7	9922518	Locking ring	1
8	9960431	Roller bearing	1
9	9922506	Locking ring	1
10	9960432	Cylinder roller bearing	1
11	2382951	Eccentric shaft assy.	1

\* Order number for 1 piece

\*\* Quantity in the complete assembly

\*\*\* Only required for dismantling the planet carrier

Insert 4 screws M6x60 (e.g. 9900145) to push the planet carrier off the eccentric shaft (tighten the screws evenly crosswise).  
**Attention: Planet carrier will be damaged and must be replaced.**

